

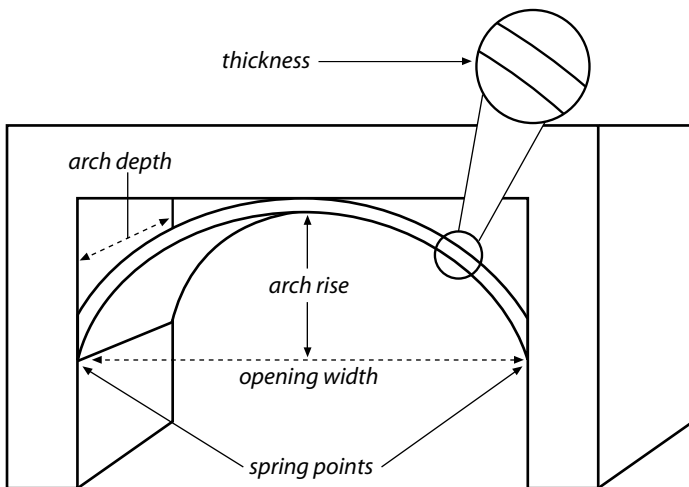
INSTALLATION INSTRUCTIONS

We supply our arches wider than ordered to allow custom fitting to the opening width.

OVERVIEW

When installing arches there are 4 critical dimensions to consider: thickness, depth, width and rise. These dimensions (in inches) are labeled on the inside face of each arch in the following order:

THICKNESS" X DEPTH" X WIDTH" X RISE"



All measurements are assumed to be inside dimension measurements. Arches will be supplied at least 6" longer than the ordered width. This allows you to make field adjustments for any variation in the opening. We can also supply arches pre-cut to your exact width.

THICKNESS:

This is generally 1" for interior applications. When used to frame windows, or on exterior wall applications, 1½" thickness is recommended to provide added surface for ease of nailing siding.

DEPTH:

The depth of the opening covered by the arch.

WIDTH:

The width of the opening in which the arch will be placed.

RISE:

The height of the arch, as measured straight from a line between the spring points (the lowest points at which the arch contacts the studs) to the highest point on the inside of the arch. (We can also manufacture from the radius of the arch)

INSTALLING

1. Mark the wall studs to match the rise specifications of the arch. For example, a ten inch rise would be marked down from the header ten inches plus the thickness of the arch.
2. Measure the exact width of the opening.
3. Measure and mark the outside of the arch to match the width of the opening. Use a square against the side of the arch to mark your cut line.
4. Miter cut the arch at such an angle that the cut ends are flush to the studs.
5. We recommend installing arches with at least 2 nails (8d equivalent for 1" thick arches, and 16d equivalent for 1 1/2" arches) driven into each stud and the header.

NOTES

View the "Video Demo" at www.custom-arch.com for a visual demonstration of arch installations.

- **BARREL ARCHES** are made from 2 or more component arches with a recommended spacing of no more than 16" on center, between those arches. Always place a component arch at the front and the back of the barrel and equally space the remaining arches.
- **DOMES:** Specific dome installation instructions are available.
- **TWO-PIECE ARCH:** Used for wide spans, some arches are made in 2 pieces. *To install:*
 1. Measure and mark the center point of the opening on the header. The rise for the full arched opening will be marked on each arch segment at the factory. Add one inch to the rise (for the thickness of the arch) measure down from the header and mark each stud.
 2. One end of each arch segment will be square cut at our plant and the 2 pieces will be banded for delivery to prevent a mix-up.
 3. Hold the square end of each arch segment at the midpoint marked on the header and the other end against the studs so the lower side of the arch meets the rise mark on the stud. Trace a line on the arch where it intersects with the stud.
 4. Use a square against the side of the arch and mark your cut line.
 5. Set your miter cut at the same angle as the traced line on the arch and cut the arch segments to length.
 6. Butt and nail each segment at the midpoint of the header and into each of the studs.
- **IGLOOS:** When installing igloos, assistance will be provided when requested.

If you have any questions please call
770.715.1824